



NUWEIGH

JAC 424

Hanging Scale

features

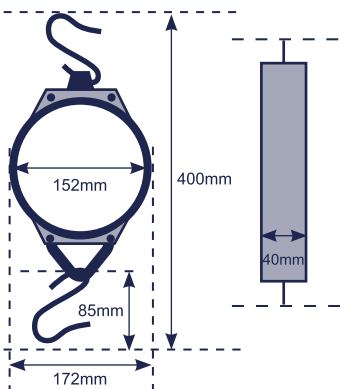
- Rugged heavy duty design
- Powder coated steel housing
- Stainless steel hooks
- Easy to read 152mm dial
- Quality spring mechanism
- Easy zero adjustment
- Perspex protective cover
- Clear, easy to read dial
- Available in 5 capacities

- **Consistent Accuracy**
- **Competitively Priced**
- **12 Months Guarantee**

specifications

MODEL	CAPACITY	RESOLUTION	DIAL SIZE
JAC-424-5	5kg	20g	152mm
JAC-424-10	10kg	50g	152mm
JAC-424-25	25kg	100g	152mm
JAC-424-50	50kg	200g	152mm
JAC-424-100	100kg	500g	152mm

Physical Dimensions (mm)



Distributed by:

S E Weighing Services Pty Ltd
 121 Crouch Street North
 Mount Gambier SA 5290

Ph: 0887 249249



*Easy To Read
Dial Face*

