



JAC929



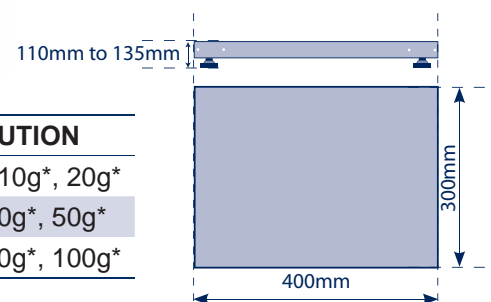
Heavy Duty Bench Scale

Features

- Available in 3 capacities
- Rugged heavy duty base works
- Large 26mm LCD backlit display
- Stainless steel platter
- Display angle adjustable
- Simple counting function
- Fitted dust & water resistant protective cover
- NMI Trade approved
- RS232 Output print option



PHYSICAL DIMENSIONS



SPECIFICATIONS

MODEL	CAPACITY	RESOLUTION
JAC 929-60	30/60kg	1g, 2g, 5g, 10g*, 20g*
JAC 929-150	60/150kg	2g, 10g, 20g*, 50g*
JAC 929-300	150/300kg	10g, 20g, 50g*, 100g*

*IF scale is NMI certified for trade use.

Distributed by: